



Modular Cooking Range Line 900XP Gas Cylindrical Boiling Pan 150lt indirect heat

ITEM # _____

MODEL # _____

NAME # _____

SIS # _____

AIA # _____



391102 (E9BSGHIRF0)

150-lt gas Boiling Pan with
pressure switch, indirect
heating

Short Form Specification

Item No. _____

Suitable for natural gas or LPG. To be installed on cantilever systems but also incorporates fixing points for bridging. Robust burners in stainless steel with flame failure device and protected pilot light. Exterior panels of unit in stainless steel with Scotch Brite finish. Double jacketed lid made in 2mm thick AISI 316 stainless steel. Pressed well with rounded edges manufactured from AISI 316 stainless steel. Right-angled side edges to allow flush-fitting junction between units. Includes safety valve to control working pressure. Temperature limiter for power regulation allowing precise temperature cooking.

Main Features

- Round kettle is suitable to cook, sauté or poach all kinds of produce.
- Produce is uniformly heated in the base and side walls of the kettle by an indirect heating system that uses integrally generated saturated steam at a temperature of 110° C in the jacket.
- External valve allows to manually evacuate excess air accumulated in the jacket during heating phase.
- Appliance is IPX5 water resistance certified.
- Manometer allows to correctly control the functioning of the pan.
- Energy regulation through a control knob.
- Safety thermostat protects against low water level.
- Safety valve avoids overpressure of the steam in the jacket.
- No overshooting of cooking temperatures, fast reaction.
- Large capacity food tap enables safe and effortless discharging of contents.
- Ergonomic: the depth of the vessel facilitates stirring the food, also the most delicate food.
- Discharge tube and tap are very easy to clean from outside.
- Solenoid valve to refill with hot and cold water.
- Smooth large surfaces, easy access for cleaning.
- The special design of the control knob system guarantees against water infiltration.
- Minimum load for correct functioning is 20 liters.

Construction

- Pressed cooking vessel in 316L AISI Stainless steel.
- Robust burners in stainless steel with flame failure device, protected pilot light and optimized combustion.
- All exterior panels in Stainless Steel with Scotch Brite finishing.
- Model has right-angled side edges to allow flush fitting joints between units, eliminating gaps and possible dirt traps.

Sustainability

- Kettle shall be double jacketed including high quality thermal insulation of the pan, saving energy and keeping ambient temperature low.
- Firmly fitting cover to reduce cooking time and save energy costs.
- Closed heating system - no waste of energy.
- Pressure switch control monitors energy and water consumption.

Included Accessories

- 1 of Water additive against corrosion for indirect boiling pans PNC 927222

Optional Accessories

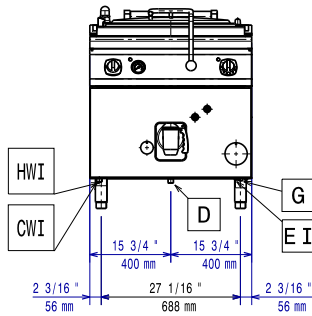
- Junction sealing kit PNC 206086

APPROVAL: _____

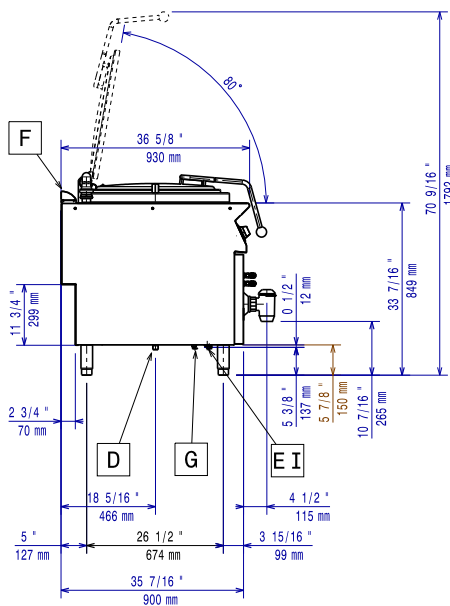


• Draught diverter, 150 mm diameter	PNC 206132	<input type="checkbox"/>	• Water additive against corrosion for PNC 927222 indirect boiling pans	<input type="checkbox"/>
• Matching ring for flue condenser, 150 mm diameter	PNC 206133	<input type="checkbox"/>	• Pressure regulator for gas units	PNC 927225 <input type="checkbox"/>
• Kit 4 wheels - 2 swivelling with brake - it is mandatory to install Base support and wheels	PNC 206135	<input type="checkbox"/>		
• Flanged feet kit	PNC 206136	<input type="checkbox"/>		
• Frontal kicking strip for concrete installation, 800mm	PNC 206148	<input type="checkbox"/>		
• Frontal kicking strip for concrete installation, 1000mm	PNC 206150	<input type="checkbox"/>		
• Frontal kicking strip for concrete installation, 1200mm	PNC 206151	<input type="checkbox"/>		
• Frontal kicking strip for concrete installation, 1600mm	PNC 206152	<input type="checkbox"/>		
• Frontal kicking strip, 800mm (not for refr-freezer base)	PNC 206176	<input type="checkbox"/>		
• Frontal kicking strip, 1000mm (not for refr-freezer base)	PNC 206177	<input type="checkbox"/>		
• Frontal kicking strip, 1200mm (not for refr-freezer base)	PNC 206178	<input type="checkbox"/>		
• Frontal kicking strip, 1600mm (not for refr-freezer base)	PNC 206179	<input type="checkbox"/>		
• Pair of side kicking strips (not for refr-freezer base)	PNC 206180	<input type="checkbox"/>		
• 2 panels for service duct for single installation	PNC 206181	<input type="checkbox"/>		
• 2 panels for service duct for back to back installation	PNC 206202	<input type="checkbox"/>		
• Kit 4 feet for concrete installation (not for 900 line free standing grill)	PNC 206210	<input type="checkbox"/>		
• Flue condenser for 1 module, 150 mm diameter	PNC 206246	<input type="checkbox"/>		
• Kit for automatic depressuring of the double jacket for 100/150 lt indirect and autoclave boiling pans	PNC 206279	<input type="checkbox"/>		
• Chimney upstand, 800mm	PNC 206304	<input type="checkbox"/>		
• Base support for feet or wheels - 800mm (700/900)	PNC 206367	<input type="checkbox"/>		
• Base support for feet or wheels - 1200mm (700/900)	PNC 206368	<input type="checkbox"/>		
• Base support for feet or wheels - 1600mm (700/900)	PNC 206369	<input type="checkbox"/>		
• Base support for feet or wheels - 2000mm (700/900)	PNC 206370	<input type="checkbox"/>		
• Rear paneling - 800mm (700/900)	PNC 206374	<input type="checkbox"/>		
• Rear paneling - 1000mm (700/900)	PNC 206375	<input type="checkbox"/>		
• Rear paneling - 1200mm (700/900)	PNC 206376	<input type="checkbox"/>		
• Chimney grid net, 400mm (700XP/900)	PNC 206400	<input type="checkbox"/>		
• Kit G.25.3 (NI) gas nozzles for 900 boiling pans	PNC 206463	<input type="checkbox"/>		
• 2 side covering panels for free standing appliances	PNC 216134	<input type="checkbox"/>		
• Trolley with lifting & removable tank	PNC 922403	<input type="checkbox"/>		
• 2-section universal basket for 150lt boiling pans	PNC 925019	<input type="checkbox"/>		
• Measuring rod for 150 l Boiling Pan	PNC 927002	<input type="checkbox"/>		

Front

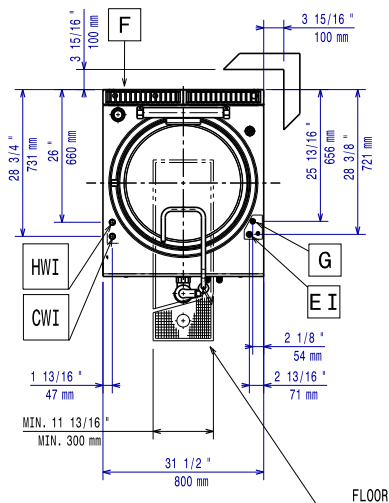


Side



- CWI = Cold Water inlet 1 (cleaning) HWI = Hot water inlet
 D = Drain
 EI = Electrical inlet (power)
 G = Gas connection

Top



Electric

Supply voltage:
 391102 (E9BSGHIRF0) 220-230 V/1 ph/50 Hz
 Total Watts: 0.1

Gas

Gas Power: 24 kW
 Standard gas delivery: Natural Gas G20 (20mbar)
 Gas Type Option: LPG; Natural Gas
 Gas Inlet: 1/2"

Key Information:

Pan useful capacity: 143 lt
 Vessel (round) diameter: 600 mm
 Net weight: 126 kg
 Shipping weight: 141 kg
 Shipping height: 1230 mm
 Shipping width: 1110 mm
 Shipping depth: 860 mm
 Shipping volume: 1.17 m³
 No clearance needed on rear sides of unit if wall is of non combustible type. If wall is combustible, minimum 50 mm wall clearance should be maintained.
 Certification group: N9PIG